

# OVRHSP-60

Facility Wide Protection – 400A and below



## Product features

- UL Listed 1449 4th edition for Type 1 and Type 2 SPD applications.
- Fail-safe design with individually fused Metal Oxide Varistors (MOVs) eliminating single point failure, protecting against both overcurrent and overvoltage events.
- 200kAIC short circuit rating permits direct bus connection to most electrical services.
- Low let through voltage ensured by the lowest possible impedance path to ground and equal current sharing during surge events.
- All weather sealed, powder-coated NEMA 4/IP65 housing is designed for any orientation and indoor/outdoor applications.
- 10-year standard warranty.

## Available configurations

Model number	Voltage	Configuration
OVRHSP601201P	120V	1-phase, 2-wire + ground
OVRHSP602401P	240V	1-phase, 2-wire + ground
OVRHSP601202S	120/240V	2-phase, 3-wire + ground
OVRHSP601203Y	120/208V	3-phase Wye, 4-wire + ground
OVRHSP602203Y	220/380V	3-phase Wye, 4-wire + ground
OVRHSP602403Y	240/415V	3-phase Wye, 4-wire + ground
OVRHSP602773Y	277/480V	3-phase Wye, 4-wire + ground
OVRHSP602403H	120/240V	3-phase High-Leg, 4-wire + ground
OVRHSP602403D	240V	3-phase Delta, 3-wire + ground

# Product specifications

Electrical	
Maximum surge current rating	60kA per phase, 30kA per mode
Nominal discharge current rating (I-n)	10kA
Operating frequency	47–63Hz
Connection method	Parallel to electrical distribution system
Modes of protection	All Modes (L-N, L-G, N-G, L-L)
Fault rating (SCCR)	200kAIC – no upstream over-current protection device (breaker or fuse) required
Response time	Less than 1 nanosecond
Standard monitoring	Status indicator lights (one per phase)
Mechanical	
Weight	4.5 kg (10 lbs.)
Enclosure type	Powder coated, impact-resistance steel, weather-proof NEMA 4
Installation location	Indoor/outdoor
Mounting method	Dual mounting flanges
Operating environment	-40° to +70°C (-40° to +185°F)
Altitude	Up to 4000 m (13,000 ft.)
Product design	Parallel design with individually fused MOVs
Regulatory	
UL 1449 4th edition	Type 1
UL 1283	Yes
IEEE C62.41.1, .2, C62.45	Yes
Listed by	ETL
EMI/RFI filter attenuation	
Max. attenuation frequency	41dB @ 106kHz
Warranty	10-years

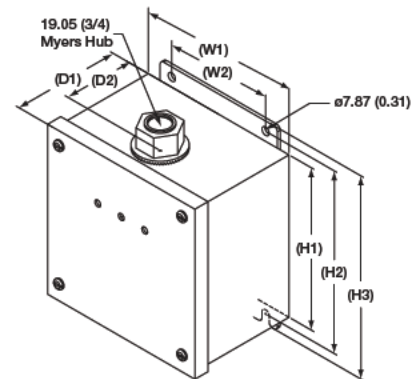


Available options*	Suffix number
Advanced monitoring (Includes dry relay contacts, audible alarm, alarm silence button, fault light)	1
Transient filter (meets UL 1283) Not recommended when using telecommunication rectifiers.	3
Stainless steel enclosure	4
Advanced monitoring and transient filter	A
Transient filter and stainless steel enclosure	C

\*Add applicable suffix to the end of Model number.  
Example: OVRHSP601201P1

Stand alone option (To be ordered as a separate item)	
Flush-mount plate kit	OVRHSP-FMP

## Dimensional specifications



Dim	Millimeters (Inches)
H1	152.4 (6.00)
H2	171.5 (6.75)
H3	190.5 (7.50)
W1	152.4 (6.00)
W2	101.6 (4.00)
D1	105.7 (4.16)
D2	50.8 (2.00)

# Performance data

Model number	Protection mode	MCOV	ANSI/IEEE C62.41.1-2002, C62.41.2-2002, & C62.45-2002 measured limiting voltage			
			B3 ring wave 6kV, 500A	B3/C1 combo wave 6kV, 3kA	C3 combo wave 20kV, 10kA	UL 1449 4th edition 6kV, 3kA VPR
OVRHSP601201P	L-N	150V	202V	587V	1078V	600V
	L-G	150V	529V	564V	1157V	600V
	N-G	150V	548V	594V	1180V	600V
OVRHSP602401P	L-N	320V	180V	1036V	1553V	1200V
	L-G	320V	855V	989V	1483V	1200V
	N-G	150V	840V	989V	1470V	1200V
OVRHSP601202S	L-N	150V	202V	587V	1078V	600V
	L-G	150V	529V	564V	1157V	600V
	L-L	300V	290V	1029V	1667V	1000V
	N-G	150V	548V	594V	1180V	600V
OVRHSP601203Y	L-N	150V	202V	587V	1078V	600V
	L-G	150V	529V	564V	1157V	600V
	L-L	300V	290V	1029V	1667V	1000V
	N-G	150V	548V	594V	1180V	600V
OVRHSP602203Y	L-N	320V	180V	1036V	1553V	1200V
	L-G	320V	855V	989V	1483V	1200V
	L-L	600V	261V	1847V	2520V	2000V
	N-G	150V	840V	989V	1470V	1200V
OVRHSP602403Y	L-N	320V	180V	1036V	1553V	1200V
	L-G	320V	855V	989V	1483V	1200V
	L-L	600V	261V	1847V	2520V	2000V
	N-G	150V	840V	989V	1470V	1200V
OVRHSP602773Y	L-N	320V	180V	1036V	1553V	1200V
	L-G	320V	855V	989V	1483V	1200V
	L-L	600V	261V	1847V	2520V	2000V
	N-G	150V	840V	989V	1470V	1200V
OVRHSP602403H	L-N	150V	202V	587V	1078V	600V
	H-N	320V	180V	1036V	1553V	1200V
	L-G	150V	529V	564V	1157V	600V
	H-G	320V	855V	989V	1483V	1200V
	L-L	300V	290V	1029V	1667V	1000V
	H-L	470V	840V	1250V	1640V	1500V
	N-G	150V	548V	594V	1180V	600V
OVRHSP602403D	L-G	320V	855V	989V	1553V	1200V
	L-L	300V	855V	989V	1553V	1000V

All OVRHSP systems measured limited voltages are peak values ( $\pm 10\%$ ) measured from the zero reference point and are in compliance with test and evaluation procedures outlined in NEMA LS1-1992 (2000), paragraphs 2.210 and 3.10.

---

**ABB Power Protection LLC**

EPSB

Low Voltage Products

5900 Eastport Blvd.

Richmond, VA 23231, USA

**[new.abb.com/low-voltage/products](http://new.abb.com/low-voltage/products)**

---

We reserve the right to make technical changes or modify the contents of this document without prior notice. With regard to purchase orders, the agreed particulars shall prevail. ABB Power Protection does not accept any responsibility whatsoever for potential errors or possible lack of information in this document.

---

We reserve all rights in this document and in the subject matter and illustrations contained therein. Any reproduction, disclosure to third parties or utilization of its contents – in whole or in parts – is forbidden without prior written consent of ABB Power Protection. Copyright © 2019 ABB